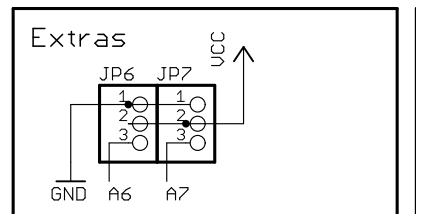
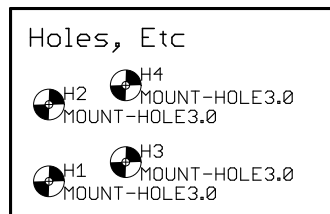
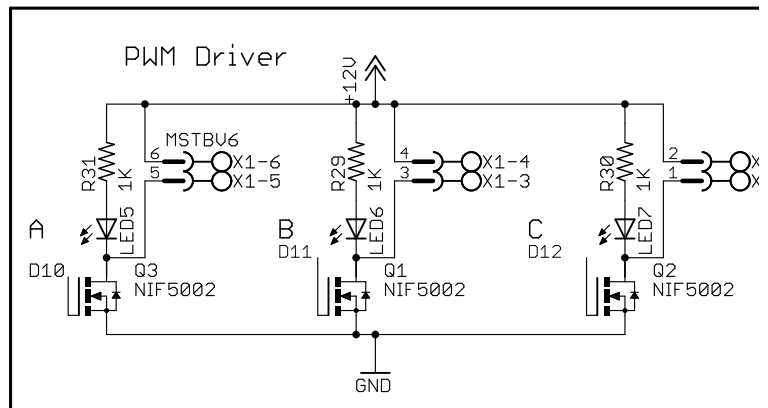
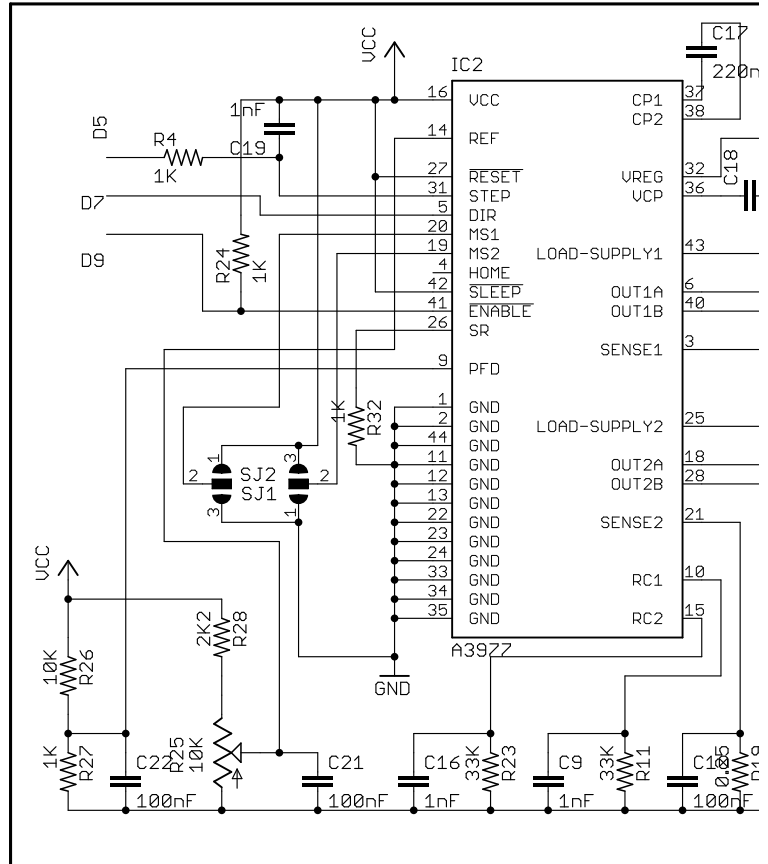
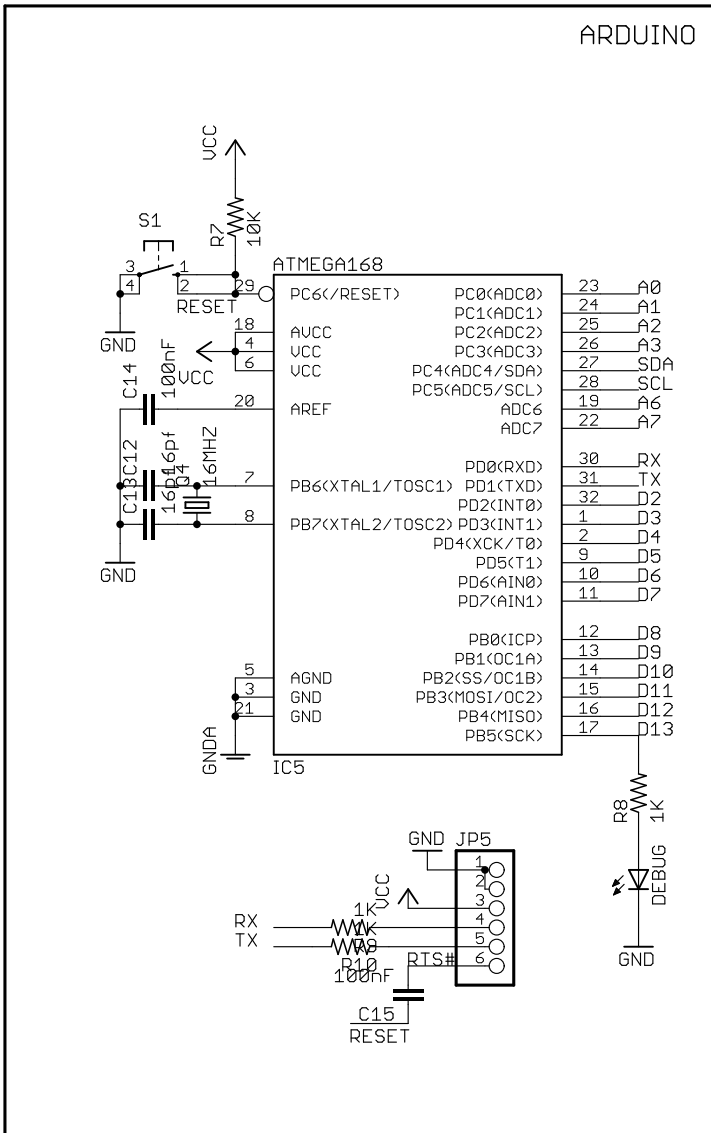
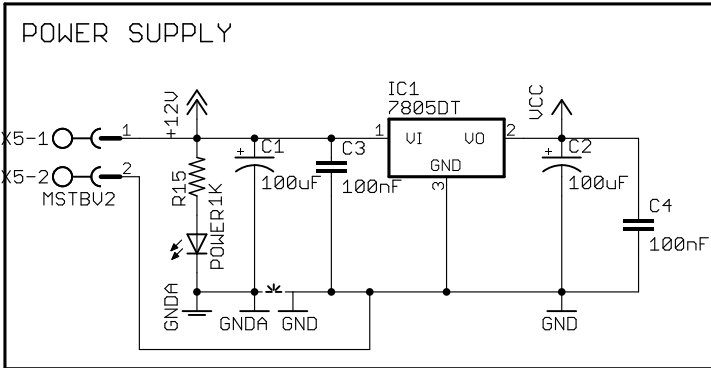


# Extruder Controller v2.3

make.rrrf.i



org/ec-2.3

